


ROLL OFFS



America

Rear Load Containers

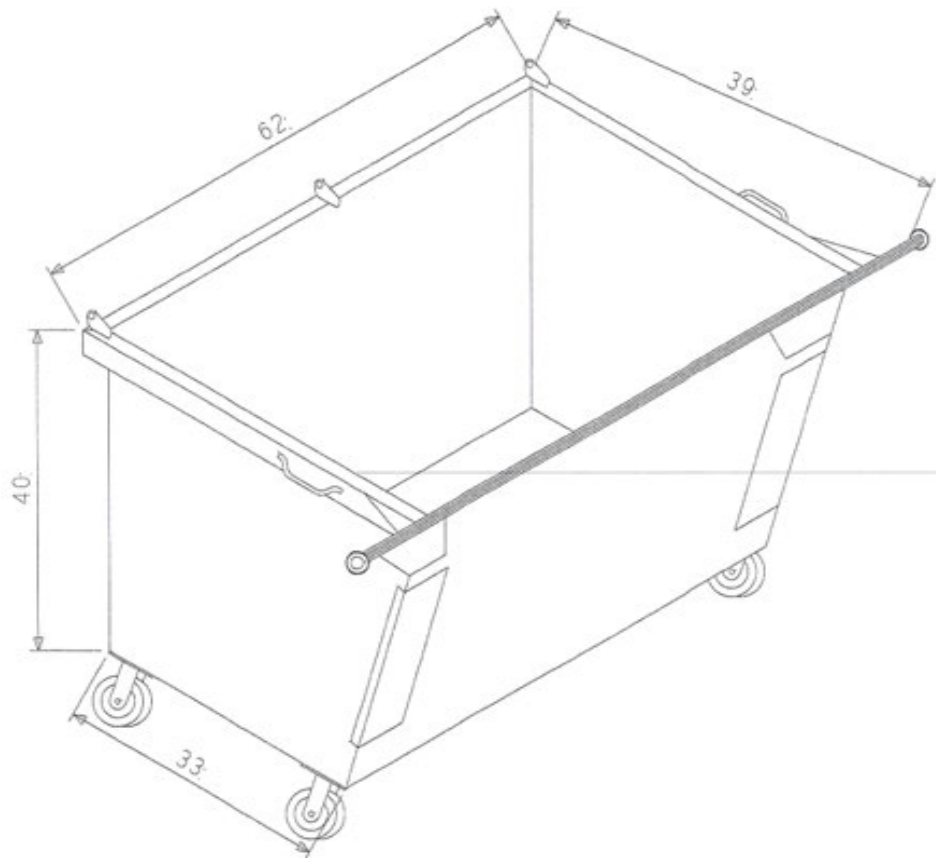
**COST EFFECTIVE
AND
BUILT TO LAST!**

Heavy Duty Features!

- All 12 ga. Panels
- Extra Heavy Trunnion Bars
- Nestable for Shipping
- Swing-a-way Lid System

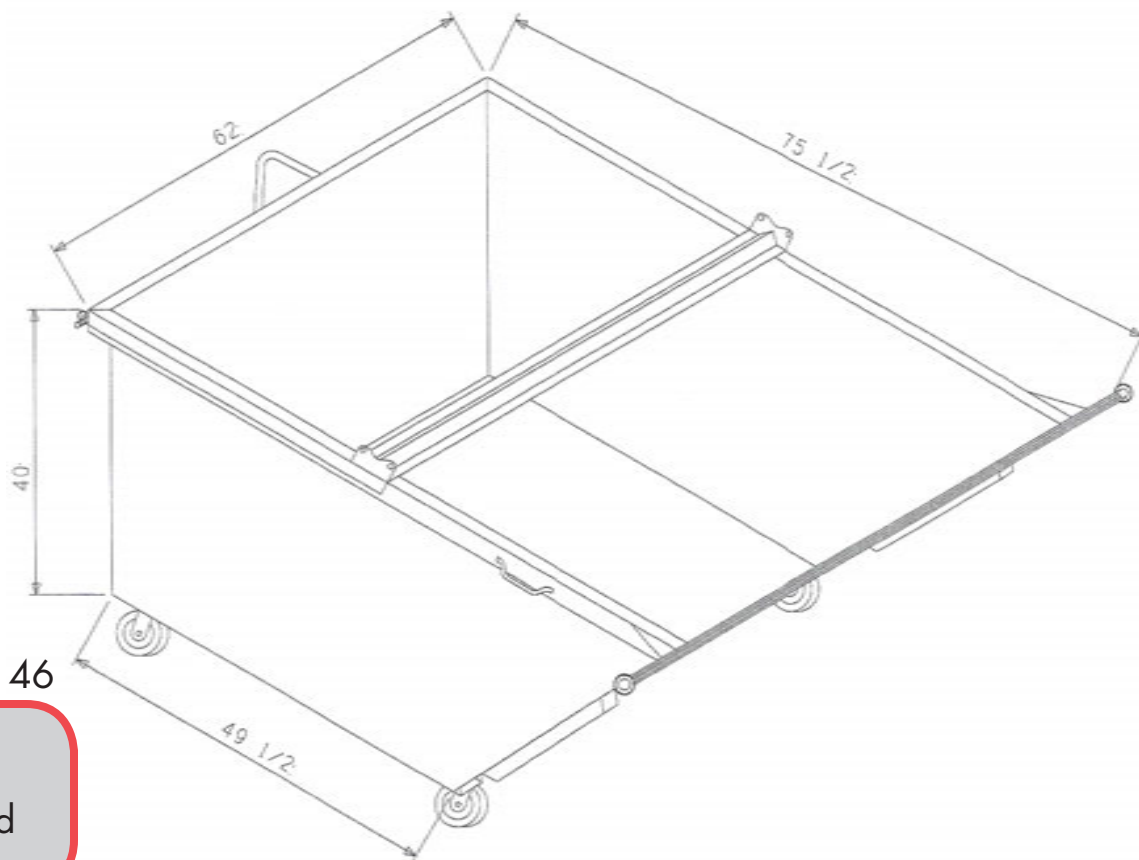
SPECIFICATIONS

	TRUNNION BAR	BODY PANELS	BACK RAIL	SIDE RAILS	BOTTOM RUNNER	LIDS
2 YD	1 1/4"	12 ga.	10 ga.	10 ga.	10 ga.	2 - 31 x 44
3 YD	1 1/2"	12 ga.	3/16"	10 ga.	10 ga.	4 - 31 x 37
4 YD w/Casters	1 1/2"	12 ga.	Double 3/16"	10 ga.	10 ga.	4 - 31 x 44
4 YD w/o Casters	1 1/2"	12 ga.	3/16"	3/16"	3" Channel	4 - 31 x 37
6 YD	1 3/4"	12 ga.	Double 3/16"	3/16"	3" Channel	6 - 31 x 37
8 YD	1 3/4"	12 ga.	Double 3/16"	3/16"	3" Channel	6 - 31 x 44



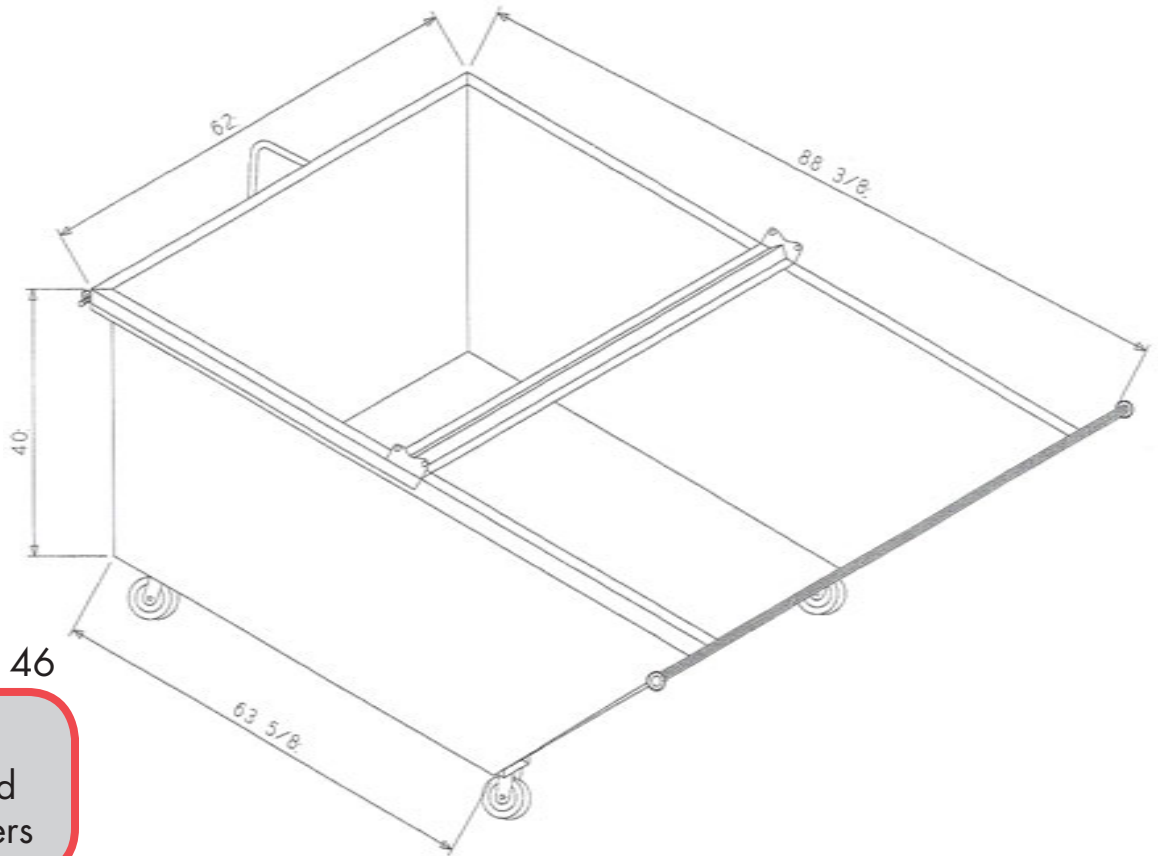
Truck Load: 72

2YD
Rear Load



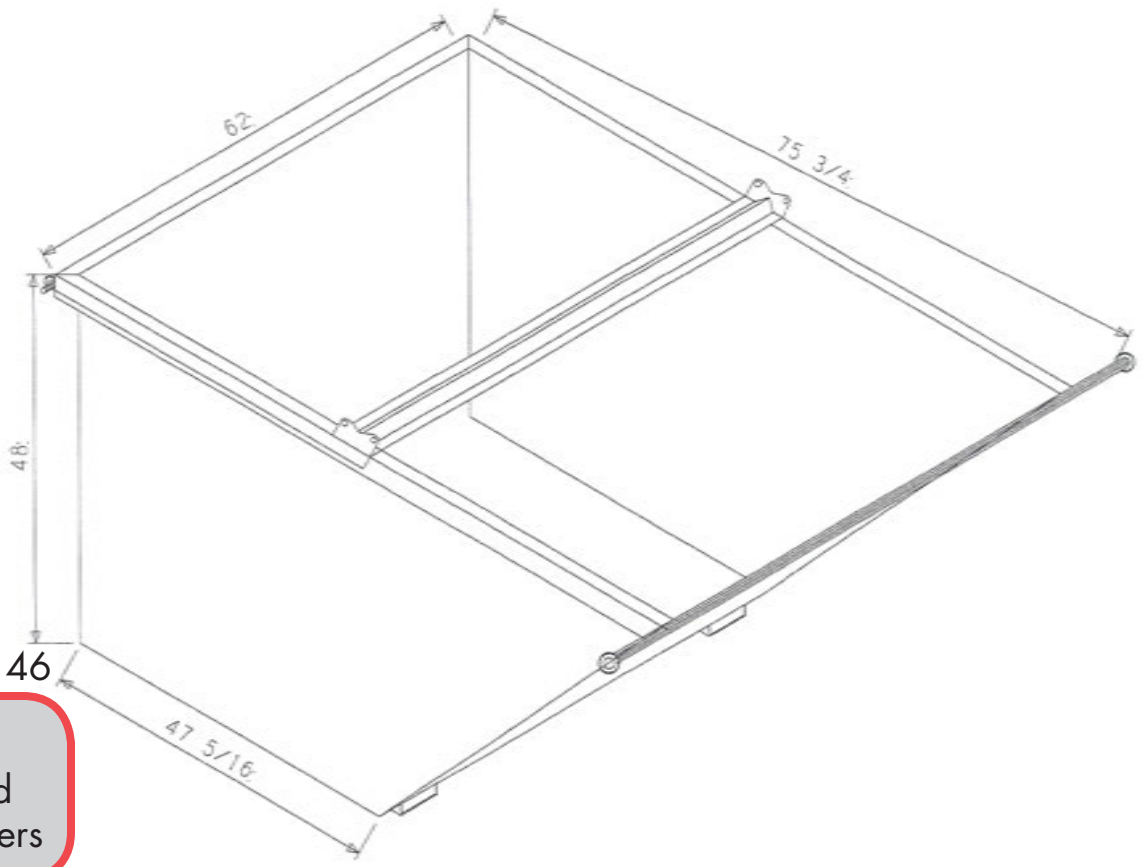
Truck Load: 46

3YD
Rear Load



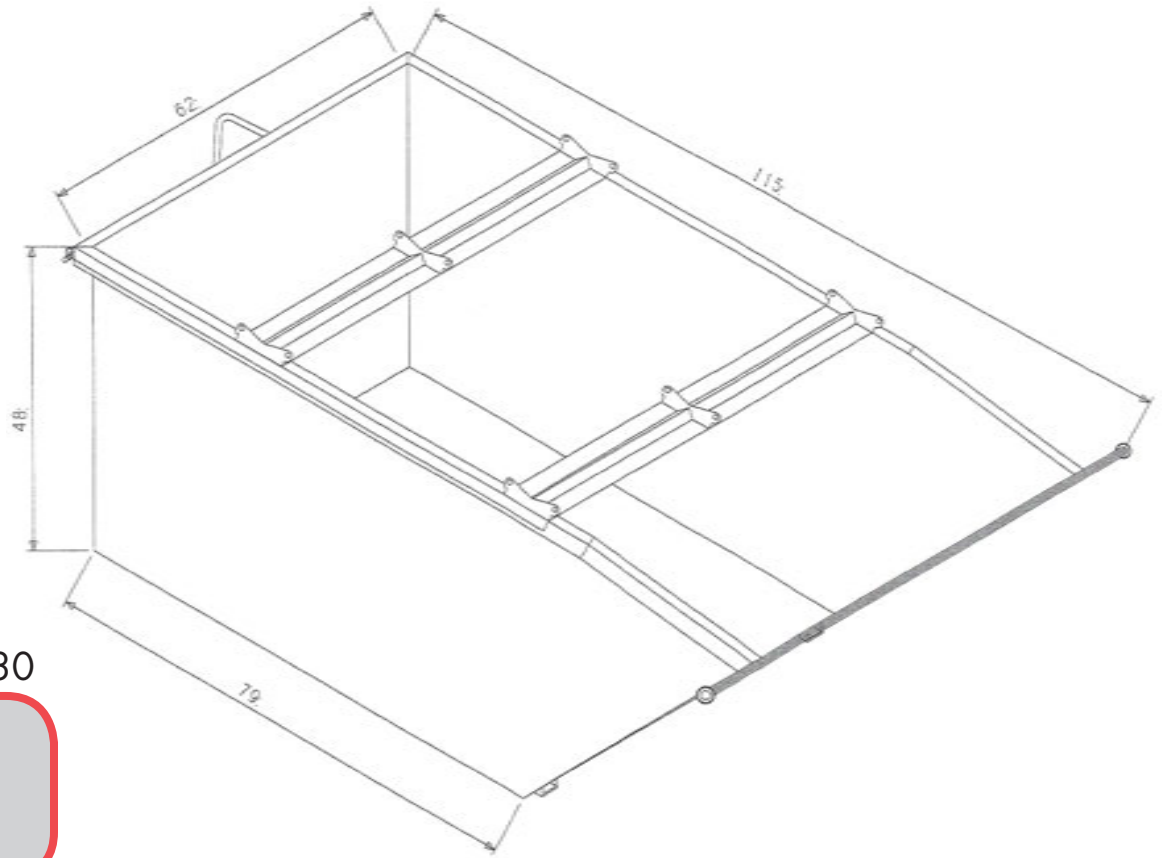
Truck Load: 46

4YD
Rear Load
with Casters



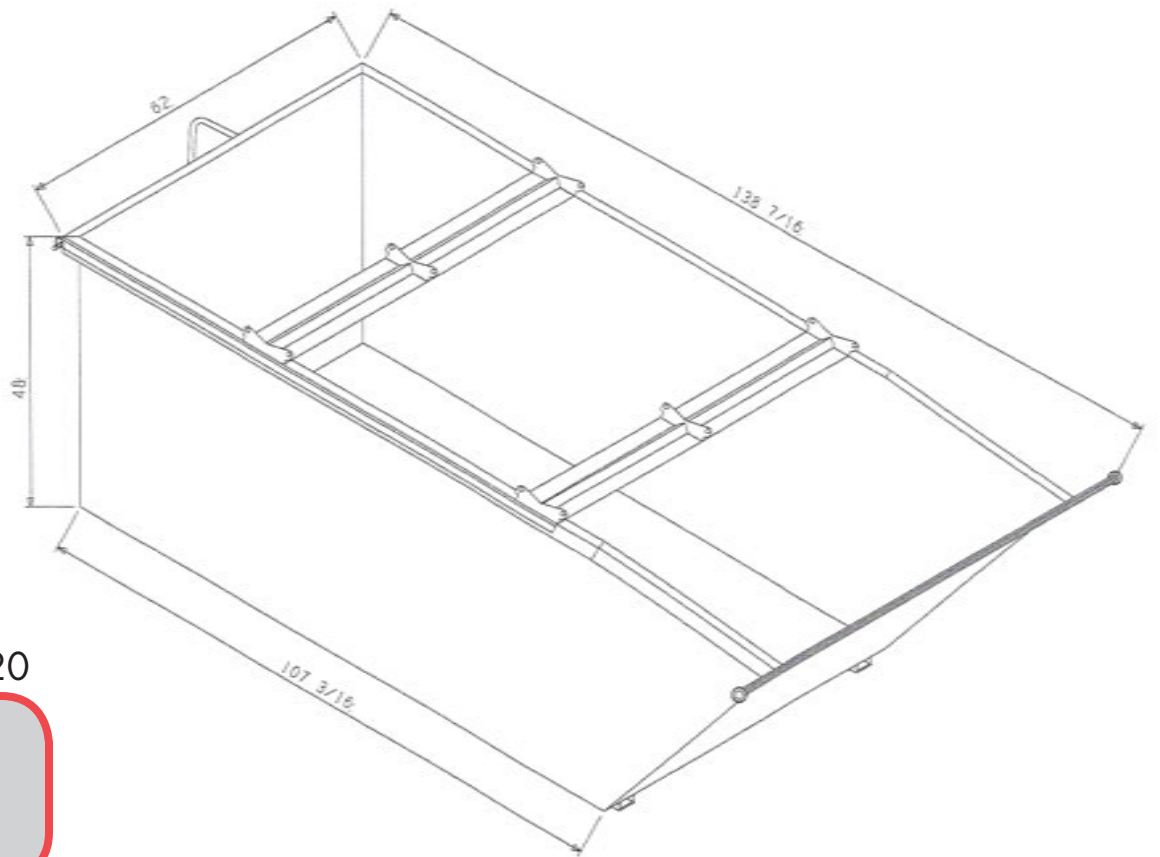
Truck Load: 46

4YD
Rear Load
W/O Casters



Truck Load: 30

6YD
Rear Load



Truck Load: 20

8YD
Rear Load

TO ORDER CALL (800) 468-6826